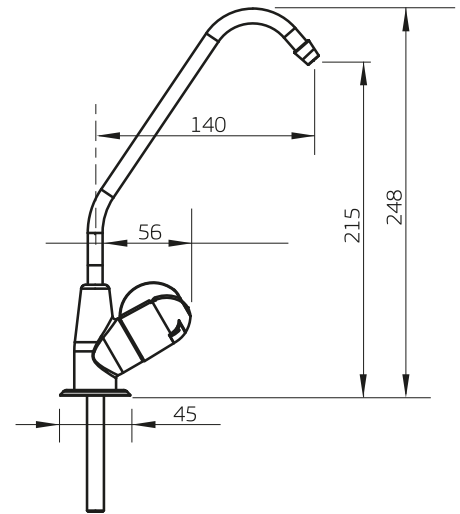


Z1 Filter

A	B	C
90 mm	290 mm	77 mm



DFU130



GENERAL INFO

DESIGNED FOR MAINS / TOWN WATER

Quick-Twist Undersink Water Filter System with LED Faucet

The Puretec Z12 system uses premium grade carbon filtration. Enjoy water the way it should be, abundant, clear and beautiful tasting from your own water supply, any time of the day. The Z12 can also be used for ice machines, water coolers, refrigerators with ice makers, inline drinking water kits, coffee/vending machines etc.

SPECIFICATIONS

Model:	Z12
Faucet Model:	DFU130
Replacement Cartridge:	Puretec Z1-R
Min/Max Flow:	0 - 5 Lpm
Min/Max Temperature:	0 - 38°C (protect from freezing)
Min/Max Pressure:	172 - 689 kPa
Micron Rating:	0.1 Micron*
Capacity:	23,000 litres
Connection:	½" BSP [15 mm]
Tap Hole:	12.5 mm Diameter
Filter WaterMark:	AS/NZS 3497 Licence No. WM 74617 Australian Certification Services
Warranty:	10 years^

*Important Note: Use only genuine Puretec replacement cartridge. ^10 year warranty is 1 year parts and labour, plus 9 years parts only. Excludes cartridges. *Micron Rating is nominal.*

FEATURES & BENEFITS

- Filtration down to 0.1 micron*.
- DIY quick-twist cartridge change.
- Premium ceramic disc faucet with LED reminder light.
- Quick and easy installation.
- Reduces chlorine, pesticides, bad taste, odours, organic chemicals, bacteria, dirt, rust and 99.9% Giardia & Cryptosporidium cysts.
- Mounts horizontally or vertically - no shelf cutouts required.
- All plumbing fittings for standard installation included.
- WaterMark approved.

For more information contact your local stockist or visit us at puretecgroupp.com
Australia **1300 140 140** | New Zealand **0800 130 140**

ADDITIONAL INFORMATION

Designed to reduce harmful Cryptosporidium & Giardia cysts, rust, dirt, sediment, chlorine, bacteria, algae and chemicals leaving beautiful fresh drinking water.

Easy Home Installation

This premium filter system easily fits under your existing kitchen bench. All plumbing fittings are included for easy installation. It comes with a designer faucet with LED that turns from blue to red when the filter needs replacing.

Hygienic Quick Cartridge Changes

The valve-in-head design shuts the water off automatically, which means no mess, the cartridge can be easily replaced - just like changing a light globe. Enjoy water the way it should be, abundant, clear and beautiful tasting from your own water supply, any time of the day.

ULTRA Z FILTRATION TECHNOLOGY



Stage 1

- Removes particles.
- Clarifies the water.
- Removes sediment, rust, sand, silt & algae.

Stage 2

- Chlorine and chloramine reduction.
- Eliminates bad taste and odours.
- Chemical pesticides & sulphur reduction.

Stage 3

- Ultra Z Filtration membrane finely filters to 0.1 micron*.
- Provides protection against cysts and bacteria, such as E. coli.
- Removes the finest particles.

Protection from



Cysts



Rust



Sand & Silt



Pesticides



Sulphur



Algae