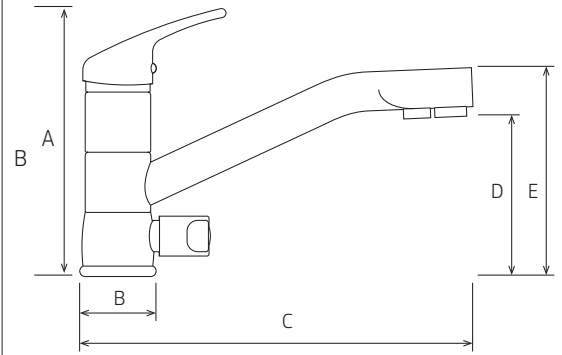


ESR2

A	B	Depth
375 mm	350mm	140 mm



TRIPLA T2

A	B	C	D	E
183 mm	55 mm	280 mm	120 mm	160 mm

GENERAL INFO

DESIGNED FOR RAINWATER SUPPLIES

Undersink UV Water Filter System With Tripla T2 LED 3-Way Mixer Tap

The Puretec ESR2-T2 systems incorporates Puretec Radfire's ultraviolet technology and Tripla's triple action tap all in one system. This system is designed to kill 99.9% of bacteria in untreated water supplies. The Tripla mixer tap gives you hot, cold, filtered/or rainwater water, all from just one mixer. There's absolutely no mixing of filtered and unfiltered water.

SPECIFICATIONS

Model:	ESR2-T2
Tap style:	3-Way LED Mixer Tap
Outlets	Hot / Cold & separate filtered
Replacement parts and cartridges:	
Sediment removal	PL051
Taste & odour removal	MC011-S
Lamp	1 x Puretec RL2
Maximum temperature	52°C
Maximum pressure	500 kPa
Required hole for the tap	33 mm diameter
Warranty	6 years[^]

Important Note Use only genuine Puretec replacement cartridge. [^]Warranty is 6 years parts, 1 year parts and labour, excludes cartridge.

FEATURES & BENEFITS

- 3 in 1 tap design - No mixing of filtered or unfiltered water
- Hot, cold, filtered/or rainwater water all from just one mixer
- Filter change reminder light – LED changes from blue to red
- Turns your rainwater into pure, safe, delicious and healthy drinking water anytime!
- Specifically designed to kill harmful microorganisms in untreated water supplies
- Uses Puretec Radfire™ ultraviolet technology to kill 99.9% of bacteria - eco-friendly and does not use chemicals
- Removes sediment, dirt, rust, bad taste and odour. Silver impregnated to prevent bacterial growth
- Tripla Faucet WELS 4 Star Rated: 7.5 litres/minute
- **6 Year Warranty**

ADDITIONAL INFORMATION

Traditional compact design

A traditional compact design, the Tripla T2 gives you hot, cold, filtered/ or rainwater water, all from just one mixer. The main handle controls hot and cold mains water, and the lever under the spout controls filtered mains/tank water. Just turn it clockwise and your filtered water is delivered via a separate tube and outlet, inside the mixer itself. There's absolutely no mixing of filtered and unfiltered water.

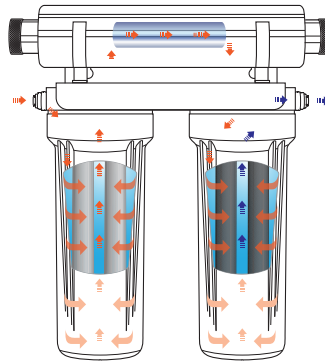
Quick, Easy Undersink Installation

The Ecotrol™ ESR2 filter system easily fits under your existing kitchen bench. All plumbing fittings are included for easy installation. It also comes with an LED faucet with filter change reminder light that tells you when to replace your cartridges.

Longer Filter Life

The Ecotrol™ ESR2 incorporates Puretec's long life filter technology, so you can go longer between filter replacements, and comes with our **6 Year Platinum Protection Warranty**^.

ESR2 FILTRATION TECHNOLOGY



Stage 1

- Removes the finest particles
- Clarifies the water
- Removes sediment, rust, sand, silt & algae

Stage 2

- Kills harmful microorganisms including E.coli, Cryptosporidium and Giardia cysts

Stage 3

- Physically filters harmful bacteria
- Silver impregnated to prevent bacterial growth
- Removes bad taste and odour

Protection from



Cysts



Rust



Sand & Silt



Giardia Cysts



Sulphur



Algae